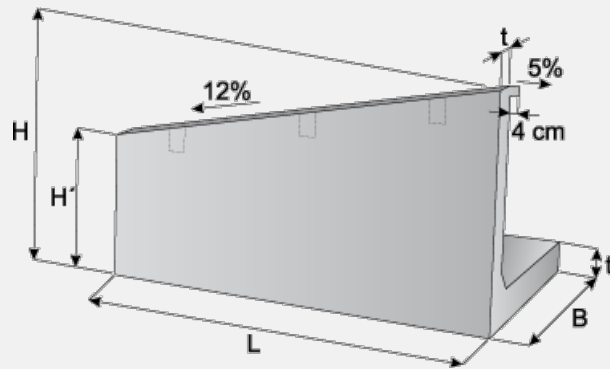


## Element of moulding wall 2 - right, left

07 Čerčany



Trademark	Dimensions (cm)					Concrete Class	Volume (m3)	Weight (kg)
	L	B	H	H_1	T_2			
IZT 63/19	226	149	119	92	18	C 30/37-XF4	0,9820	2460

### Usage:

The products are intended for forming of a precast concrete moulding wall in front of and behind the bridge both in curve and in straight line. They are made in a left and right version. The elements of the moulding wall 1, 2 are equipped with a splayed coping. The products are designed for dead load of elements, filling earth and for load by the load train ČSD T, the standard load of which is given by a set of axle forces 4 x 312.5 kN and by the uniform load 100 kNm-1.